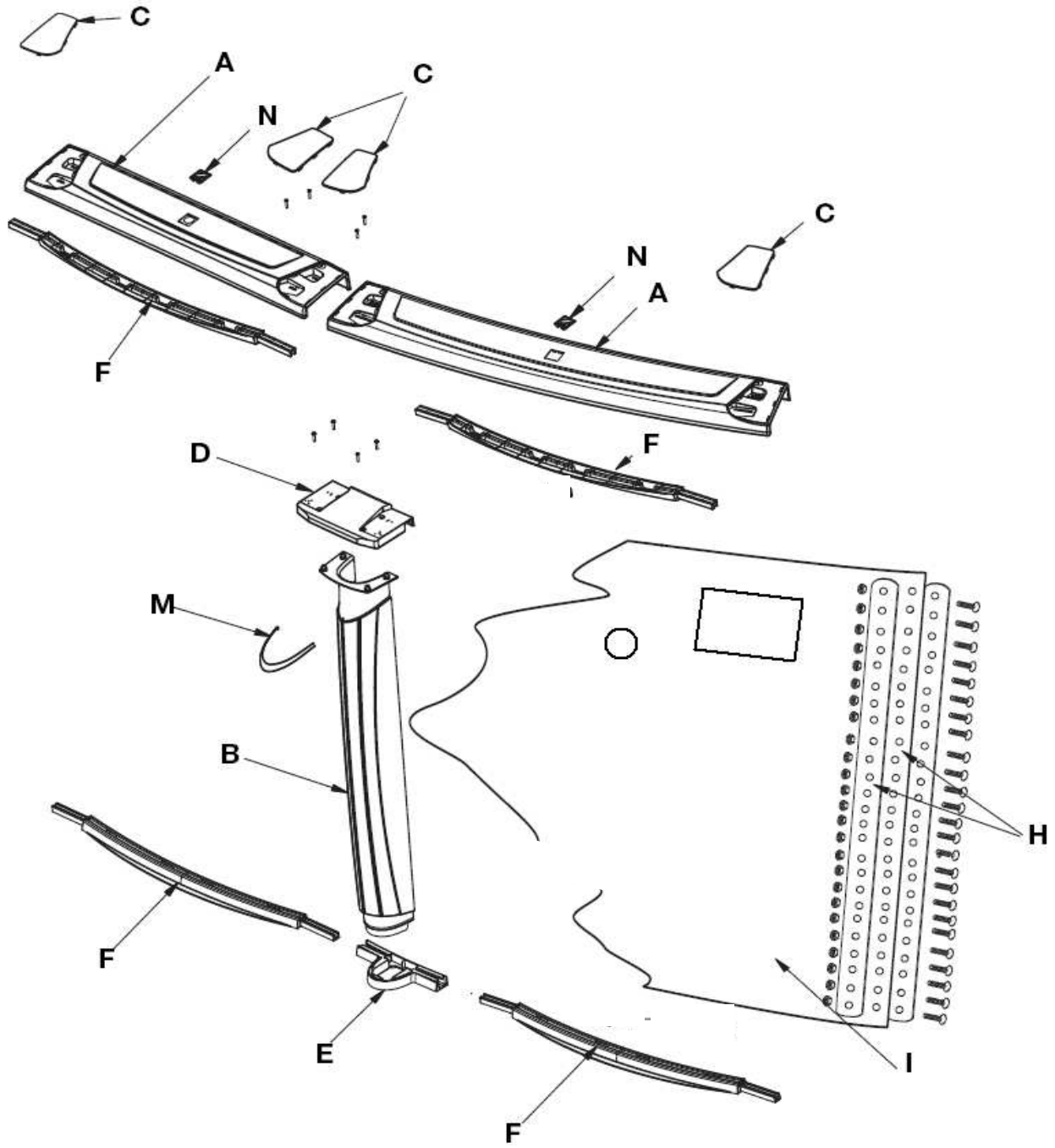


Caspian / Azor RRR  
PAZO-54RRRRRRRI10  
Round



**Product: Description:**  
**Product Code:**

**Azor Round**  
**PAZO-54RRRRR110**

Revised Sept 2014

				Quantity required for installation (by pool size)						
Index #	Description	Part #	Length	12	15	18	21	24	27	30
A	Top ledge	CG761-001-R		8	10	12	14	16	18	20
B	Upright	CG861-002-54	54"	8	10	12	14	16	18	20
C	Top ledge cover (Left)	CC761-006-G	55.312	8	10	12	14	16	18	20
C	Top ledge cover (Right)	CC761-006-D	55,312"	8	10	12	14	16	18	20
D	Top plate	CC761-20851		8	10	12	14	16	18	20
E	Bottom plate	CG761-20852		8	10	12	14	16	18	20
F	Stabilizer/Bottom Rail	1525515	55,250"	16	20					
F	Stabilizer/Bottom Rail	1525524	55,250"			24	28	32	36	
F	Stabilizer/Bottom Rail	1525530	55,250"							40
H	Steel bars	11825	54,000"	2	2	2	2	2	2	2
I	Wall			1	1	1	1	1	1	1
M	Collar	SV761-007		8	10	12	14	16	18	20
N	Logo	SVLOGOM761-1		8	10	12	14	16	18	20
	Hardware bag for pool	SACRE0012		1						
	Hardware bag for pool	SACRE0015			1					
	Hardware bag for pool	SACRE0018				1				
	Hardware bag for pool	SACRE0021					1			
	Hardware bag for pool	SACRE0024						1		
	Hardware bag for pool	SACRE0027							1	
	Hardware bag for pool	SACRE0030								1
	Hardware for wall	1050000054		1	1	1	1	1	1	1
	Flat washer 10x 3/4"	FW10x34s		33	42	50	58	67	75	84
	Screw 12X1 1/4"	VHL12x114S		33	42	50	58	67	75	84
	Screw 12X3/4"	VHL12x34S		33	42	50	58	67	75	84
	Instruction DVD	SACWBI36876		1	1	1	1	1	1	1
	Addendum	B40019FA							1	1

