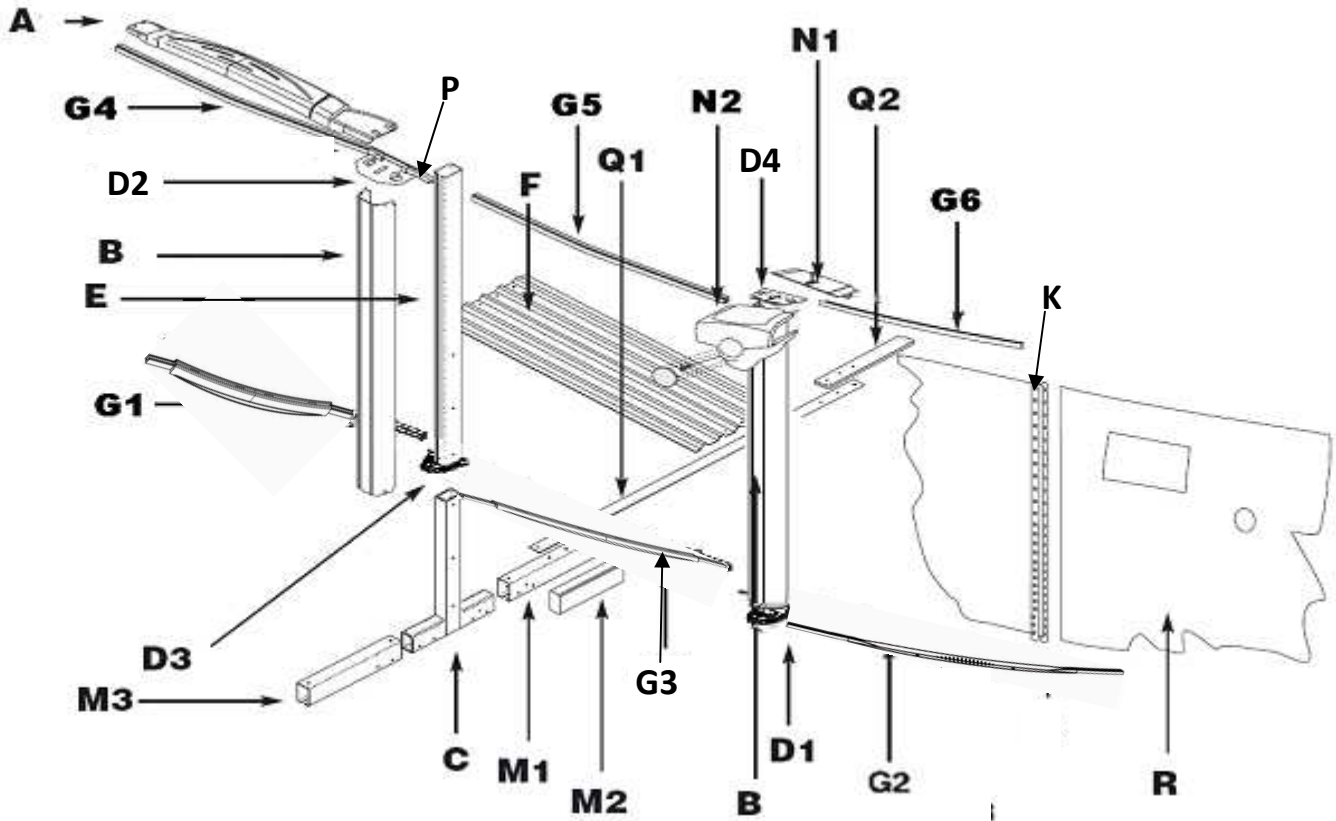


Mediterranean / Magnus RTR  
PMAG-YE54RSRSRSB10  
Yard Extender  
Oval



				Quantity required for installation ( by pool size)				
Index#	Description	Parts #	Length	1223	1526	1530	1833	2143
A1	Top ledge (round sections)	AR744-001-R		8	10	10	12	14
A2	Top ledge (straight sections)	AR744-001-45	45"	6	6	8	8	12
B	Upright	ART811-R12954M	53,750"	14	16	18	20	26
C	T unit	20801		8	8	10	10	14
D1-D3	Bottom plates	CG21120B		14	16	18	20	26
D2	Top plate (straight sections)	21134		8	8	10	10	14
D4	Top plate (round sections)	21120A		6	8	8	10	12
E	Vertical sleeve	20509	52,875"	8	8	10	10	7
F	Brace plate	20809	47,000"	6	6	8	8	6
G1	Bottom rail (straight section)	1514215	42,000"	6	6	8	8	12
G2	Bottom rail (round section)	1525515	55,250"	4	6	6	8	10
G3	Bottom rail (resin transition)	1325315	54,125"	4	4	4	4	4
G4	Stabilizer 38" (straight section)	1254138	38,000"	6	6	8	8	12
G5	Stabilizer 12D 54" (straight section)	1255412	54,250"	4				
G5	Stabilizer 15D 54" (straight section)	1255415	54,320"		4	4		
G5	Stabilizer 18D 54" (straight section)	1255418	54,320"				4	
G5	Stabilizer 21D 54" (straight section)	1255421	54,000"					4
G6	Stabilizer 12D 56" (round section)	1255612	55,750"	4				
G6	Stabilizer 15D 56" (round section)	1255615	55,875"		6	6		
G6	Stabilizer 18D 56" (round section)	1255618	55,875"				8	
G6	Stabilizer 21D 55" (round section)	1255621	55,750"					10
K	Steel bars	11825	54,000"	2	2	2	2	2
M1	Horizontal sleeve with pen	20810	17,000"	8	8	10	10	14
M2	Extruded polystyrene piece	1000100		8	8	10	10	14
M3	Horizontal sleeve without pen	20802	17,000"	8	8	10	10	14
N1/N2	Ledge cover	AR211-23120ABC		14	16	18	20	26
P	Junction rail	12539		16	16	20	20	26
Q1	Steel strap 60"	20560	59,750"	8	12	15	15	28
Q2	Steel strap 26"	20526	26,000"	4			10	
Q2	Steel strap 28"	20528	28,000"					7
R	Wall			1	1	1	1	1
	Hardware bag/pool	SACV12X34-147	#12 screw 3/4	1				
	Hardware bag/pool	SACV12X34-164	#12 screw 3/4		1			
	Hardware bag/pool	SACV12X34-184	#12 screw 3/4			1		
	Hardware bag/pool	SACV12X34-204	#12 screw 3/4				1	
	Hardware bag/pool	SACV12X34-133	#12 screw 3/4					2
	Hardware bag for pool	SACVHL12144-63	# 12screw 1 1/4	1				
	Hardware bag for pool	SACVHL12144-74	# 12screw 1 1/4		1	1		
	Hardware bag for pool	SACVHL12144-84	# 12screw 1 1/4				1	
	Hardware bag for pool	SACVHL12144-113	# 12screw 1 1/4					1
	Hardware bag / braceless	SACSJF-4		2	2	1	1	2
	Hardware bag / braceless	SACSJF-6				1	1	1
	Bolt 1/4"-20 X 2 1/2"	B14X20X212		66	66	82	82	95
	Bolt 3/8"-16 X 3/4"	B38X16X34		50	50	62	62	87
	Nut 1/4"-20	N14X20		66	66	82	82	95
	Nut 3/8" X 16	N38X16S		26	26	32	32	45
	Hardware bag/wall	1050000054		1	1	1	1	1
	Instruction DVD	SACWBI36876		1	1	1	1	1

