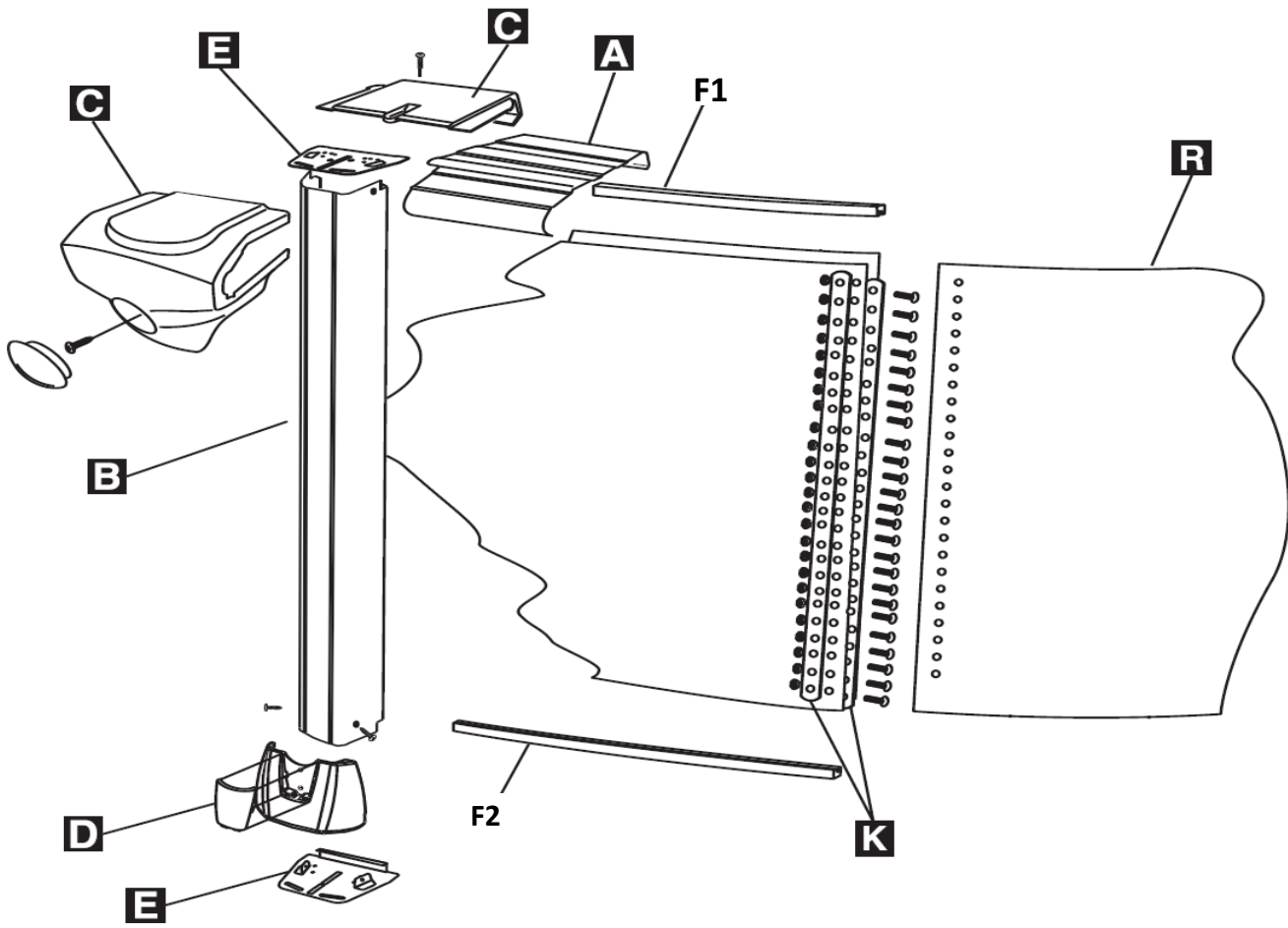


Montego / Ohana STR
PZEN-52SSPSPSB11
Round



				Quantity required for installation (by pool size)							
Index #	Description	Part #	Length	8	12	15	18	21	24	27	30
A	Top ledge 30"	ART211-1295030	30,500"	10							
A	Top ledge 50"	ART211-1295050	50,500"		9						
A	Top ledge 52"	ART211-1295052	51,750"			11	13				
A	Top ledge 53"	ART211-1295053	53,250"					15	17	19	21
B	Upright	ART711-R12954M	51,750"	10	9	11	13	15	17	19	21
C	Ledge cover	AR211-23120ABC		10	9	11	13	15	17	19	21
D	Foot Cover	AR711-23300AC		10	9	11	13	15	17	19	21
E	Top/Bottom Plate	21120A		20	18	22	26	30	34	38	42
F1	Stabilizer 8D	1254108	30,000"	10							
F1	Stabilizer 12D	1254112	49,750"		9						
F1	Stabilizer 15D	1254115	50,974"			11					
F1	Stabilizer 18D	1254118	51,721"				13				
F1	Stabilizer 21D	1254121	52,250"					15			
F1	Stabilizer 24D	1254124	52,690"						17		
F1	Stabilizer 27D	1254127	53,000"							19	
F1	Stabilizer 30D	1255330	53,375"								21
F2	Bottom Rail 8D	LA1254108	30,000"	10							
F2	Bottom Rail 12D	LA1254112	49,750"		9						
F2	Bottom Rail 15D	LA1254115	50,974"			11					
F2	Bottom Rail 18D	LA1254118	51,721"				13				
F2	Bottom Rail 21D	LA1254121	52,250"					15			
F2	Bottom Rail 24D	LA1254124	52,690"						17		
F2	Bottom Rail 27D	LA1254127	53,000"							19	
F2	Bottom Rail 30D	LA1255330	53,375"								21
K	Steel bars	11823	52,000"	2	2	2	2	2	2	2	2
R	Wall			1	1	1	1	1	1	1	1
	Hardware bag/pool	SACV12X34-113	#12 SCREWS 3/4"	1							
	Hardware bag/pool	SACV12X34-102	#12 SCREWS 3/4"		1						
	Hardware bag/pool	SACV12X34-129	#12 SCREWS 3/4"			1					
	Hardware bag/pool	SACV12X34-147	#12 SCREWS 3/4"				1				
	Hardware bag/pool	SACV12X34-169	#12 SCREWS 3/4"					1			
	Hardware bag/pool	SACV12X34-191	#12 SCREWS 3/4"						1		
	Hardware bag/pool	SACV12X34-215	#12 SCREWS 3/4"							1	
	Hardware bag/pool	SACV12X34-235	#12 SCREWS 3/4"								1
	Hardware bag/wall	1050000054		1	1	1	1	1	1	1	1
	Instruction DVD	SACWBI36876		1	1	1	1	1	1	1	1

