

Southern Sea

7" x 7" Pool Series - Resin

Oval Pools

Parts List

Oval Pool - Parts List

| | | | 20'x12' | 24'x12' | 28'x16' | 32'x16' | 34'x18' | 41'x21' | |
|---------|-------------------------------------|------------|---------|---------|---------|---------|---------|---------|--|
| ITEM # | DESCRIPTION | PART# | QTY. | QTY. | QTY. | QTY. | QTY. | QTY. | |
| | Top Rail Pack | 6-9803-712 | 1 | 1 | — | — | — | — | |
| | Top Rail Pack | 6-9881-712 | — | — | 1 | — | — | — | |
| | Top Rail Pack | 6-9810-712 | — | — | — | 2 | 1 | — | |
| | Top Rail Pack | 6-9812-712 | — | — | — | — | 1 | 1 | |
| | Top Rail Pack | 6-9814-712 | — | — | — | — | — | 1 | |
| 1. | Top Rail | 587-1626 | 12 | 12 | — | — | — | — | |
| 1a. | Top Rail | 587-1627 | — | — | 18 | 20 | 22 | 26 | |
| | Skirt Pack | 6-9110-702 | 1 | 1 | — | — | — | — | |
| | Skirt Pack | 6-9112-702 | — | — | 1 | 1 | — | — | |
| | Skirt Pack | 6-9114-702 | — | — | — | — | 1 | — | |
| | Skirt Pack | 6-9116-702 | — | — | — | — | — | 1 | |
| 2. | Vertical skirt | 340-2610 | 10 | 10 | 12 | 12 | 14 | 16 | |
| 3. | Screw #8 x 5/8" | 330-1023 | 20 | 20 | 24 | 24 | 28 | 32 | |
| 4. | Screw #10 x 1/2" | 330-1127 | 20 | 20 | 24 | 24 | 28 | 32 | |
| | Assembly Pack | 6-9902-702 | 1 | — | — | — | — | — | |
| | Assembly Pack | 6-9942-702 | — | 1 | — | — | — | — | |
| | Assembly Pack | 6-9986-702 | — | — | 1 | — | — | — | |
| | Assembly Pack | 6-9926-702 | — | — | — | 1 | — | — | |
| | Assembly Pack | 6-9948-702 | — | — | — | — | 1 | — | |
| | Assembly Pack | 6-9911-702 | — | — | — | — | — | 1 | |
| 5. | Stabilizer Rail - Large | 583-1011 | 10 | 12 | 12 | 14 | 16 | 8 | |
| | Stabilizer Rail - Large | 583-1005 | — | — | — | — | — | 12 | |
| 6. | Stabilizer Rail - Small | 583-1012 | 8 | 8 | 10 | 10 | 10 | — | |
| | Stabilizer Rail - Small | 583-1004 | — | — | — | — | — | 10 | |
| 7. | Vertical end Cap | 580-2299 | 20 | 20 | 24 | 24 | 28 | 32 | |
| 7a. | Side Vertical cap | 580-2056 | 4 | 6 | 6 | 8 | 8 | 10 | |
| 8. | Outer conn. bracket | 580-2128 | 14 | 16 | 18 | 20 | 22 | 26 | |
| 9. | Top Connector | 340-2645 | 14 | 16 | 18 | 20 | 22 | 26 | |
| 10. | Plastic Coping | 545-1001 | 30 | 33 | 40 | 44 | 46 | 55 | |
| 11. | Bottom Rail (stamped 12) | 589-1046 | 12 | 12 | — | — | — | — | |
| | Bottom Rail (stamped 16) | 589-1047 | — | — | 10 | 10 | — | — | |
| | Bottom Rail (stamped 18) | 589-1048 | — | — | — | — | 16 | — | |
| | Bottom Rail (stamped 21) | 589-1049 | — | — | — | — | — | 14 | |
| 11a. | Bottom Rail Transition (stamped TR) | 589-1053 | — | — | 4 | 4 | — | 4 | |
| 11b. | Bottom Rail Side (stamped S) | 589-1052 | 2 | 4 | 4 | 6 | 6 | 8 | |
| 12. | Top Rail (side) | 587-1627 | 2 | 4 | — | — | — | — | |
| 12a. | Installation Instructions | 573-3346 | 1 | 1 | 1 | 1 | 1 | 1 | |
| 13. | Warranty Card | — | 1 | 1 | 1 | 1 | 1 | 1 | |
| 14. | Pool Parts List | 573-3603 | 1 | 1 | 1 | 1 | 1 | 1 | |
| 15. | Book - "Safety First" | 573-3169 | 1 | 1 | 1 | 1 | 1 | 1 | |
| 16. | Sheet Metal Screw #10 x 1/2" | 330-1127 | 118 | 132 | 150 | 164 | 182 | 214 | |
| 17. | #6-32 slot MS screw | 510-1038 | 10 | 10 | 12 | 12 | 14 | 16 | |
| *18. | #6-32 hex nut | 321-1088 | 10 | 10 | 12 | 12 | 14 | 16 | |
| 18a. | #10-24 x 1/2" Slot PH MS | 510-1008 | 4 | 6 | 6 | 8 | 8 | 10 | |
| 18b. | #10-24 Square nut | 321-1025 | 4 | 6 | 6 | 8 | 8 | 10 | |
| | Vertical Pack | 6-9710-712 | 1 | 1 | — | — | — | — | |
| | Vertical Pack | 6-9712-712 | — | — | 1 | 1 | — | — | |
| | Vertical Pack | 6-9714-712 | — | — | — | — | 1 | — | |
| | Vertical Pack | 6-9716-712 | — | — | — | — | — | 1 | |
| 19. | Vertical | 341-1485 | 10 | 10 | 12 | 12 | 14 | 16 | |
| **20. | Vinyl Liner Carton | | | | | | | | |
| | Liner 20'x12' | _____ | 1 | — | — | — | — | — | |
| | Liner 24'x12' | _____ | — | 1 | — | — | — | — | |
| | Liner 28'x16' | _____ | — | — | 1 | — | — | — | |
| | Liner 32'x16' | _____ | — | — | — | 1 | — | — | |
| | Liner 34'x18' | _____ | — | — | — | — | 1 | — | |
| | Liner 41'x21' | _____ | — | — | — | — | — | 1 | |
| 21. | Warranty Card | — | 1 | 1 | 1 | 1 | 1 | 1 | |
| *** 22. | Repair Patch | 564-1000 | 1 | 1 | 1 | 1 | 1 | 1 | |
| 23. | Warning Decal | 560-1041 | 3 | 3 | 3 | 3 | 3 | 3 | |
| 24. | Shallow Decal, 3-3/4 Ft. | 560-1056 | 3 | 3 | 3 | 3 | 3 | 3 | |
| 25. | Shallow Decal Instruction | 369-1216 | 1 | 1 | 1 | 1 | 1 | 1 | |
| 26. | Book - "Safety First" | 573-3169 | 1 | 1 | 1 | 1 | 1 | 1 | |
| 27. | Chlorine & Winterizing Instructions | 573-2421 | 1 | 1 | 1 | 1 | 1 | 1 | |

* Replacement screws and nuts are available in most hardware stores.

** Write the number of your liner in the spaces provided here and above. # _____.

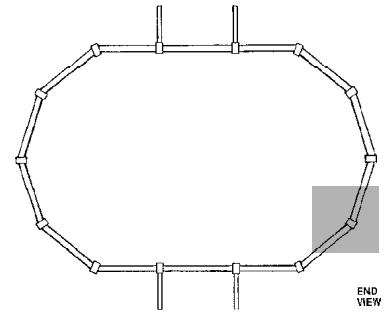
*** For additional patch kits order Part No. 0-5604-000.

Oval Pool - Parts List

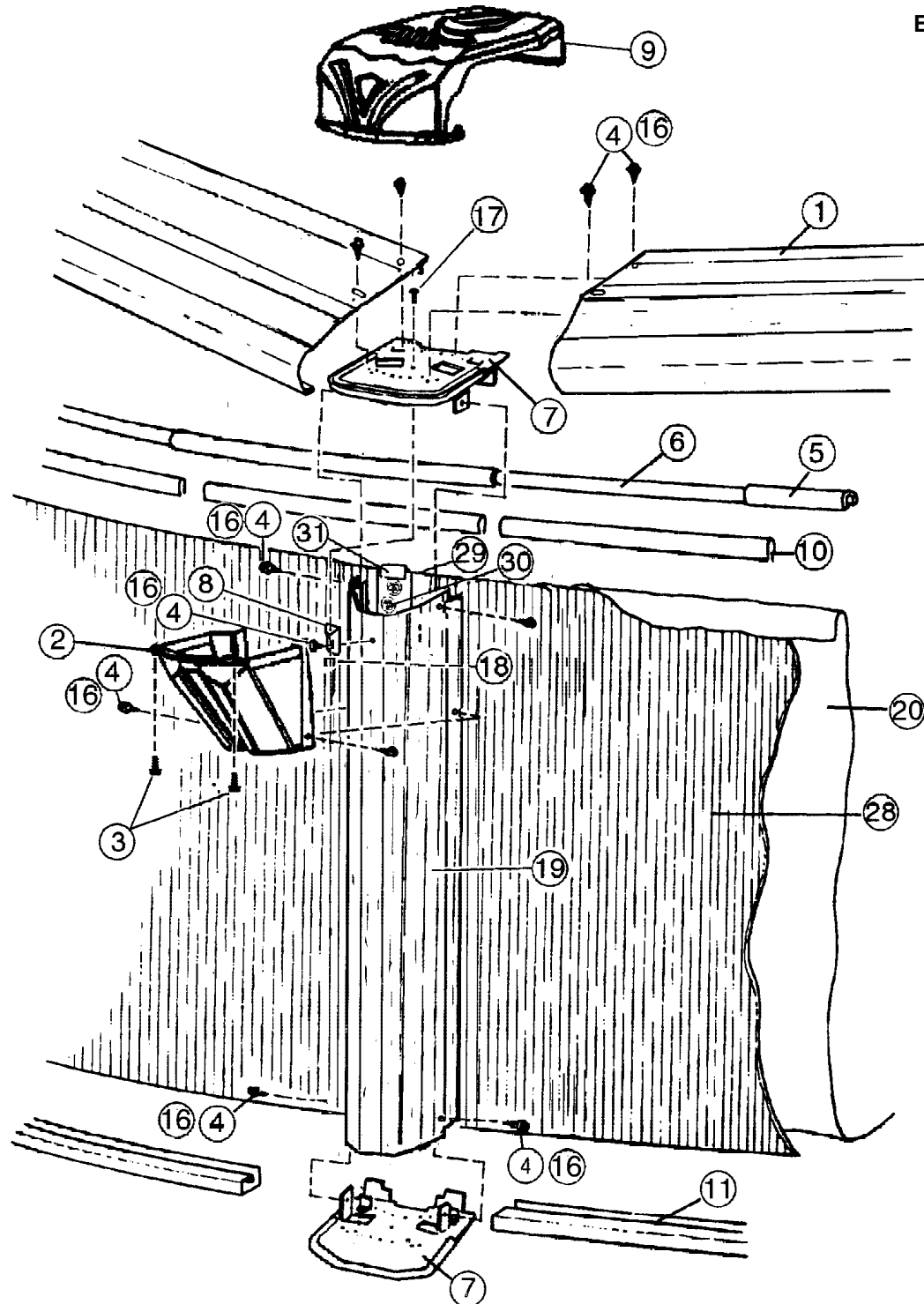
| | | | 20'x12' | 24'x12' | 28'x16' | 32'x16' | 34'x18' | 41'x21' | |
|--------|----------------------------------|------------|---------|---------|---------|---------|---------|---------|--|
| ITEM # | DESCRIPTION | PART# | QTY. | QTY. | QTY. | QTY. | QTY. | QTY. | |
| | Sidewall Carton | | | | | | | | |
| *28. | 20'x12' Sidewall | _____ | 1 | — | — | — | — | — | |
| | 24'x12' Sidewall | _____ | — | 1 | — | — | — | — | |
| | 28'x16' Sidewall | _____ | — | — | 1 | — | — | — | |
| | 32'x16' Sidewall | _____ | — | — | — | 2 | — | — | |
| | 34'x18' Sidewall | _____ | — | — | — | — | 2 | — | |
| | 41'x21' Sidewall | _____ | — | — | — | — | — | 2 | |
| 29. | 1/4"-20 x 1/2" screw (not shown) | 330-1280 | 26 | 26 | 26 | 52 | 52 | 52 | |
| 30. | 1/4"-20 hex nut | 321-1029 | 26 | 26 | 26 | 52 | 52 | 52 | |
| 31. | Wall protective strip | 535-1442 | 1 | 1 | 1 | 2 | 2 | 2 | |
| 32. | Warning Sign | 560-1055 | 1 | 1 | 1 | 2 | 2 | 2 | |
| 33. | Book - "Safety First" | 573-3169 | 1 | 1 | 1 | 2 | 2 | 2 | |
| 33a. | Cover plate (Lg.) not shown | 580-_____ | — | — | — | 2 | 2 | 2 | |
| 33b. | Cover plate (sm.) not shown | 580-_____ | — | — | — | 2 | 2 | 2 | |
| | SUPPORT PACK 4 — CARTON | 6-8888-204 | 1 | — | — | 2 | 2 | 1 | |
| | SUPPORT PACK 6 — CARTON | 6-8888-206 | — | 1 | 1 | — | — | 1 | |
| 34. | Skid Support | 580-1779 | 4 | 6 | 6 | 8 | 8 | 10 | |
| 35. | Ground Support - Top | 580-2071 | 4 | 6 | 6 | 8 | 8 | 10 | |
| 36. | Ground Support - Bottom | 580-2072 | 4 | 6 | 6 | 8 | 8 | 10 | |
| 37. | Pressure Pad - Outside | 580-1869 | 4 | 6 | 6 | 8 | 8 | 10 | |
| 38. | Pressure Pad - Inside | 580-1870 | 4 | 6 | 6 | 8 | 8 | 10 | |
| 39. | Bottom Rail Locator | 580-1792 | 4 | 6 | 6 | 8 | 8 | 10 | |
| 40. | Sheet Metal Screw, #12 x 3/4" | 510-1035 | 24 | 36 | 36 | 48 | 48 | 60 | |
| 41. | Hex head bolt, 3/8-16 x 3-1/2" | 330-1220 | 16 | 24 | 24 | 32 | 32 | 40 | |
| 42. | Hex nut, 3/8-16 | 321-1069 | 16 | 24 | 24 | 32 | 32 | 40 | |
| 43. | Hex head screw, 1/4-20 x 1/2" | 510-1018 | 16 | 24 | 24 | 32 | 32 | 40 | |
| 44. | Hex nut, 1/4-20 | 511-1000 | 16 | 24 | 24 | 32 | 32 | 40 | |
| 45. | Sheet metal screw, #10x1/2" | 330-1127 | 24 | 36 | 36 | 48 | 48 | 60 | |
| | SUPPORT PACK 4 — CARTON | 6-8852-400 | 1 | — | — | 2 | 2 | 1 | |
| 46. | SUPPORT PACK 6 — CARTON | 6-8852-600 | — | 1 | 1 | — | — | 1 | |
| | Side vertical | 580-2074 | 4 | 6 | 6 | 8 | 8 | 10 | |

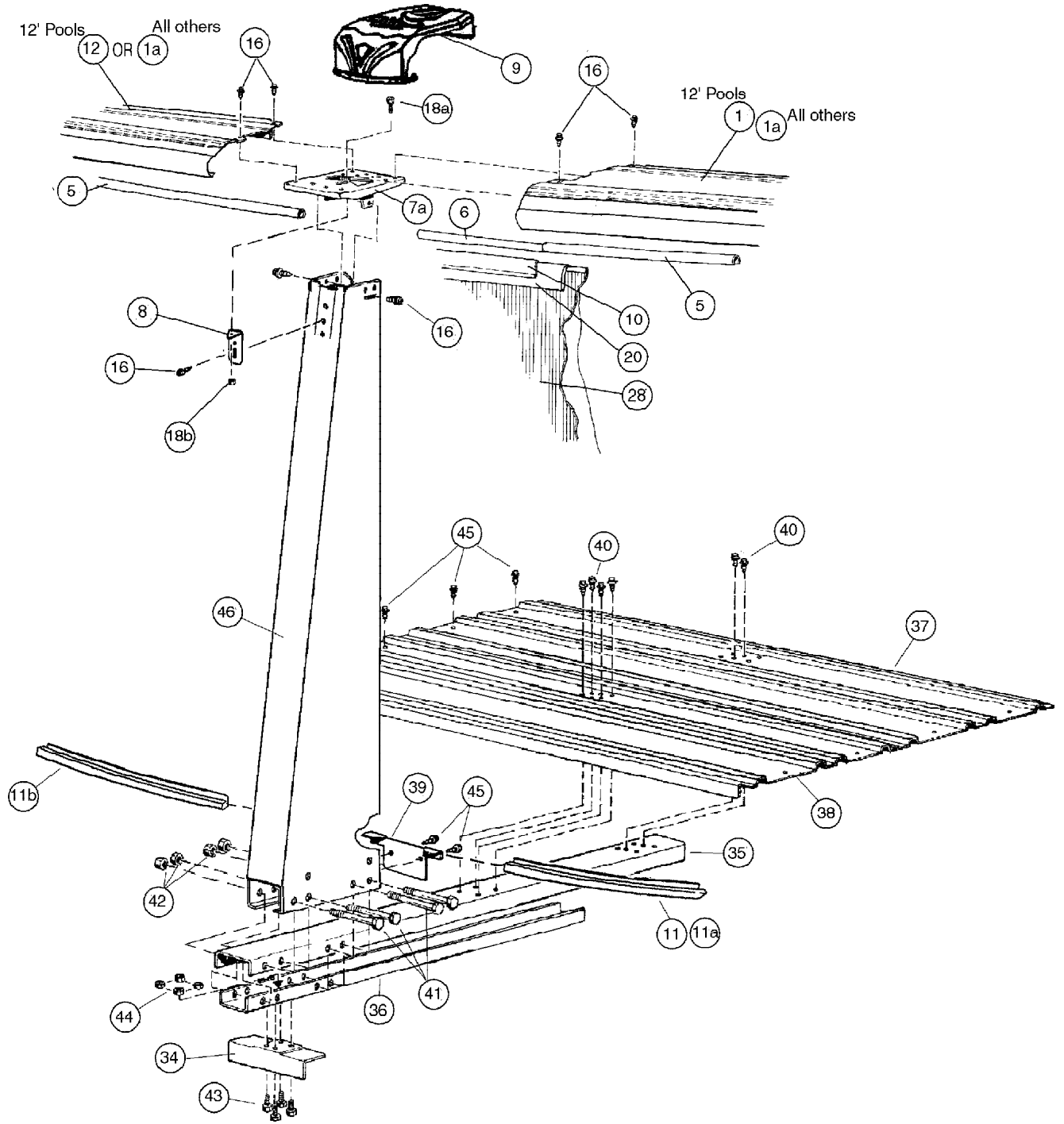
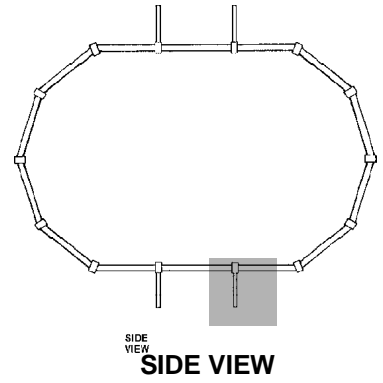
*Write sidewall number above and here _____

Oval End View - Exploded View



END VIEW







CHANGE OF DESIGN: The manufacturer expressly reserves the right to change or modify the design and construction of any product in due course of our manufacturing procedures, without incurring any obligation or liability to furnish or install such changes or modifications on products previously or subsequently sold.

Important! Above-ground pools are designed for swimming and wading only. Do not Dive or Jump! Misuse of your pool may result in crippling injury and/or other dangers to life and health. Do not use slides, diving boards, or any other platform or object which can be used for improper pool entry. Use only an above-ground swimming pool ladder to enter or exit your pool. It is the pool owner's responsibility to secure the pool against unauthorized, unsupervised or unintentional entry. It is also the pool owner's responsibility to warn all pool users of the hazards of diving into shallow water: paralyzing injury may result. Always obey all safety rules. Remember, pool safety is everybody's responsibility.